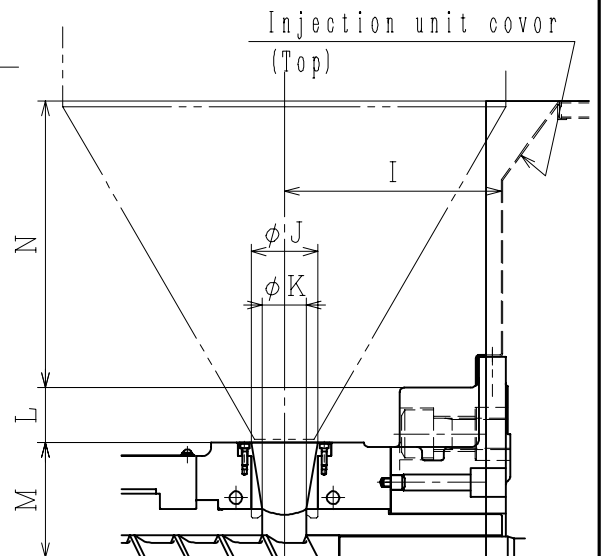
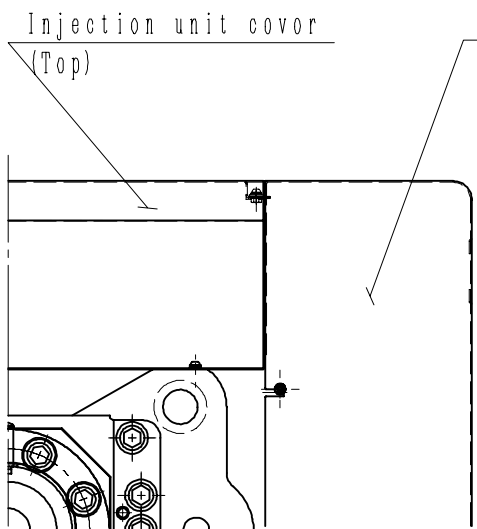
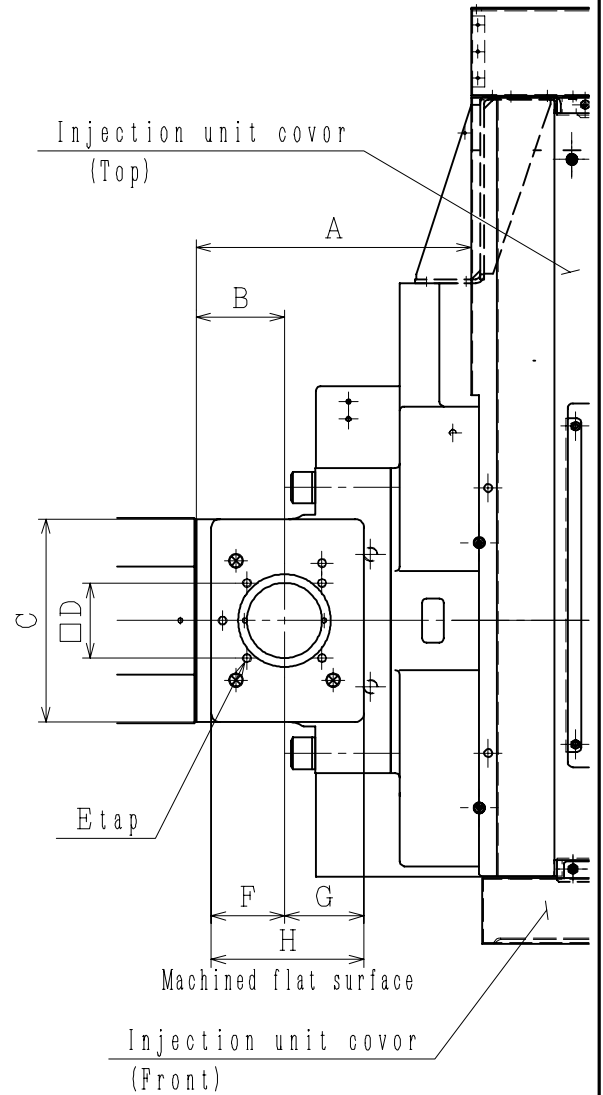


	7H·7U				15H·15U			
	φ32	φ36	φ40	φ46	φ40	φ46	φ50	φ55
A	241.5	241.5	271	307.5	281	281	311.5	374
B	92	92	102	102	102	102	102	112
C	190	190	220	285	180	190	230	230
D	85	85	85	85	85	85	85	85
E	M10×18 $\varnothing$	M10×18 $\varnothing$	M10×18 $\varnothing$	M10×18 $\varnothing$	M10×18 $\varnothing$	M10×18 $\varnothing$	M10×18 $\varnothing$	M10×18 $\varnothing$
F	90	90	100	100	80	90	83	85
G	80.5	80.5	100	136.5	80	136.5	90	90
H	170.5	170.5	200	236.5	160	226.5	173	170
I	185.5	185.5	205	241.5	215	215	245.5	297
J	φ75	φ75	φ75	φ75	φ75	φ75	φ75	φ75
K	φ50	φ50	φ50	φ50	φ50	φ50	φ50	φ75
L	57.5	57.5	52.5	52.5	67.5	67.5	62.5	37.5
M	120	120	125	125	125	125	130	155
N	213.2	213.2	213.2	213.2	324	324	324	324

	20H		
	φ50	φ55	φ60
A	177.5	182	257.5
B	102	112	124.5
C	230	230	230
D	85	85	85
E	M10×18 $\varnothing$	M10×18 $\varnothing$	M10×18 $\varnothing$
F	83	85	85
G	90	85	90
H	173	170	175
I	250.5	245	308
J	φ105	φ105	φ105
K	φ75	φ75	φ75
L	96	71	61
M	130	155	165
N	298	298	298



230MEt II (CE)  
 DETAIL DWG. OF HOPPER PART