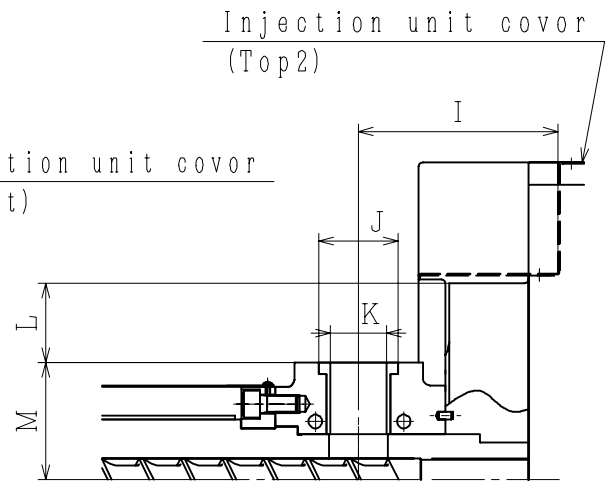
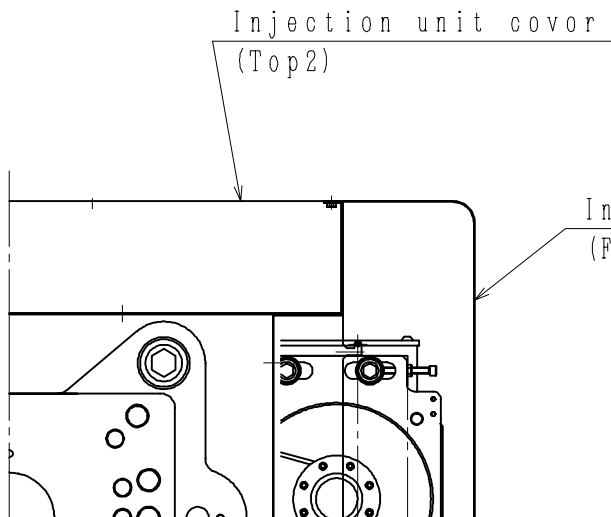
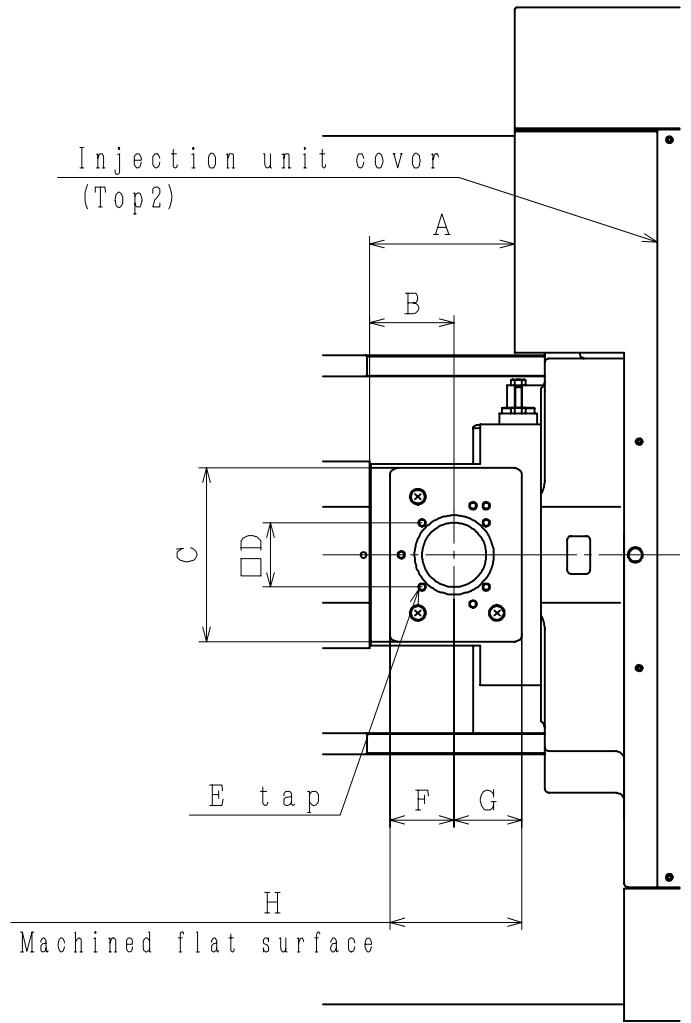


	20H		
	φ50	φ55	φ60
A	187.5	192	255
B	102	112	122
C	230	230	230
D	85	85	85
E	M10×18 ϕ	M10×18 ϕ	M10×18 ϕ
F	85	85	85
G	90	90	90
H	175	175	175
I	269.5	264	327
J	φ105	φ105	φ105
K	φ75	φ75	φ75
L	135	105	95
M	125	155	165

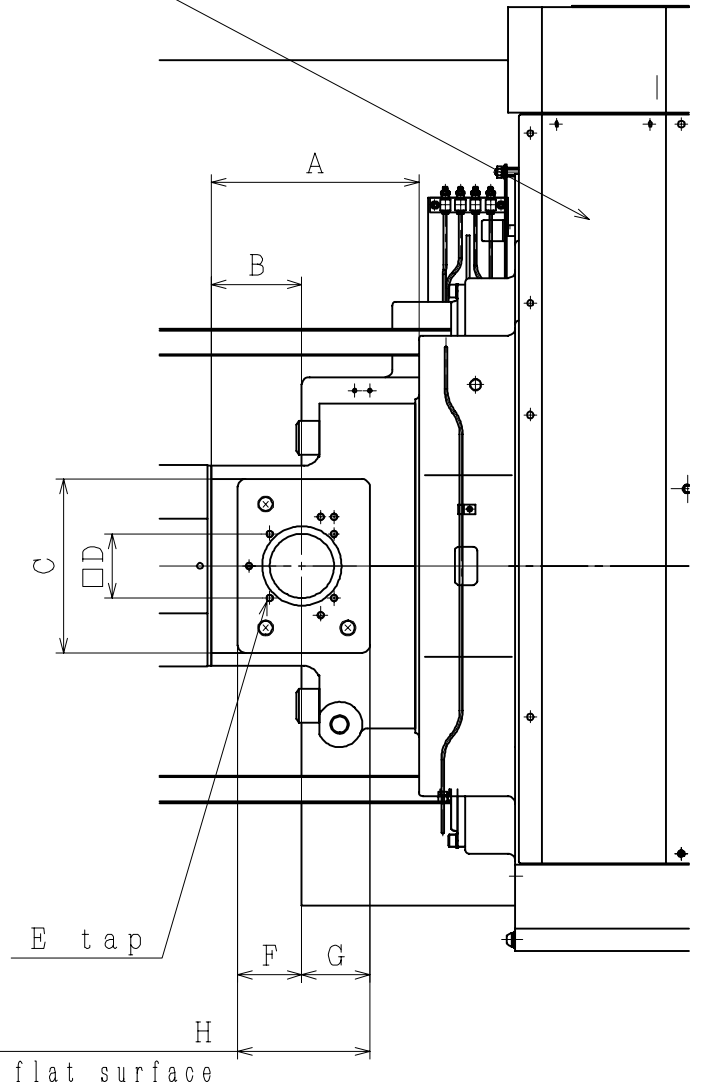


280MEt III (CE)

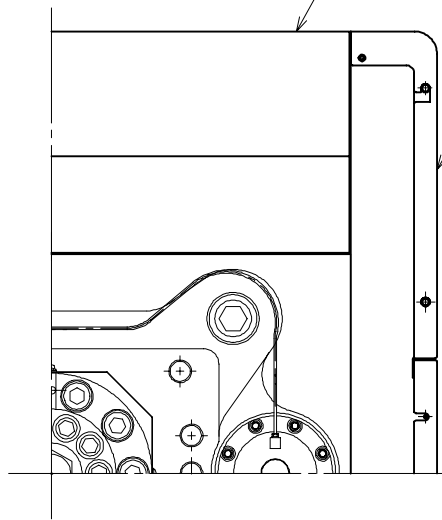
DETAIL DWG. OF HOPPER PART (1)

Injection unit cover
(Top2)

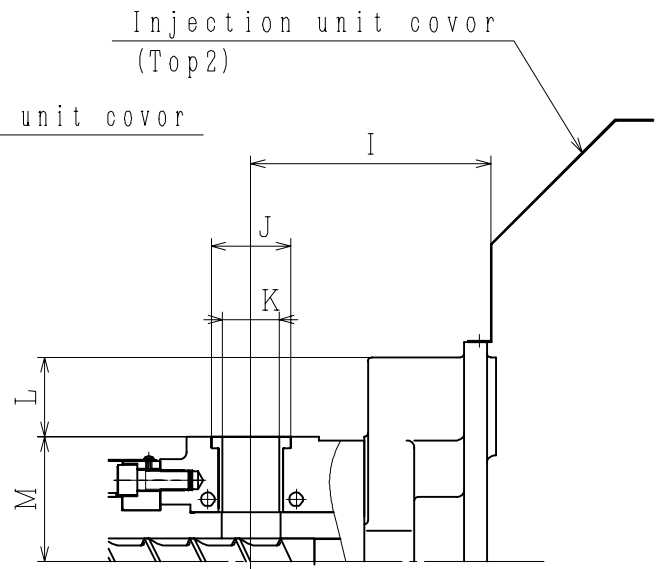
	30H		
	φ 55	φ 60	φ 68
A	230	275	338
B	110	120	125
C	230	230	240
D	85	85	85
E	M10×18 ℓ	M10×18 ℓ	M10×18 ℓ
F	85	85	85
G	90	90	90
H	175	175	175
I	282.5	317.5	375.5
J	φ 105	φ 105	φ 105
K	φ 75	φ 75	φ 75
L	115	105	90
M	155	165	180



Injection unit cover
(Top2)



Injection unit cover
(Front)



280MEt II (CE)

DETAIL DWG. OF HOPPER PART (2)