

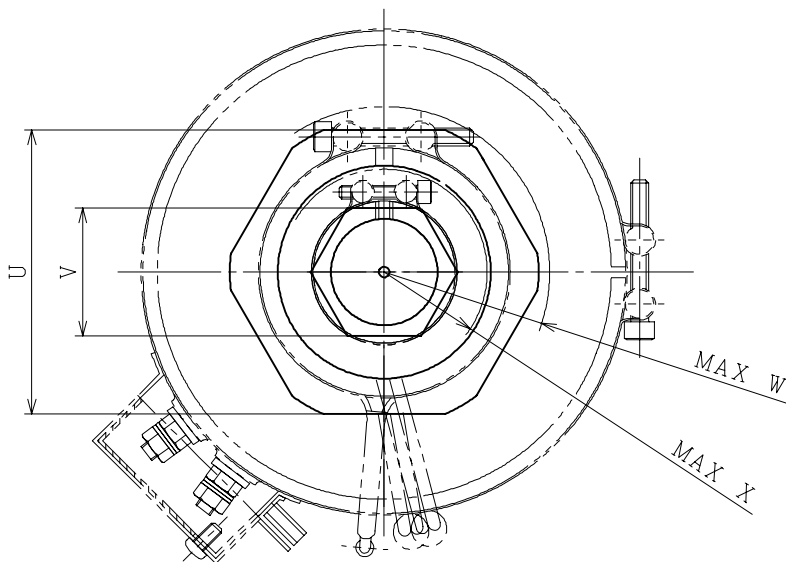
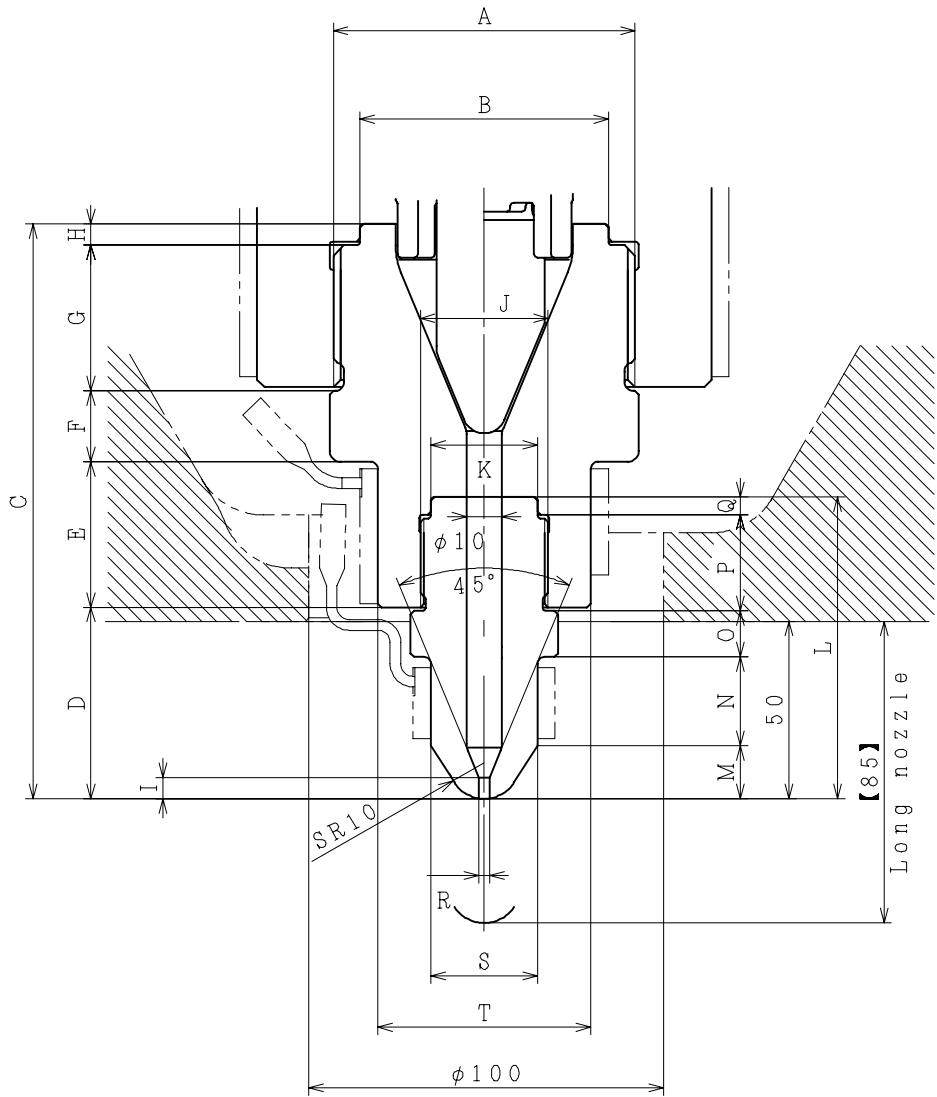
	3.5S·3.5H	3.5S·3.5H·7H·7U	3.5S·3.5H·7H·7U
A	φ28	φ32	φ36
B	M65P=4	M65P=4	M65P=4
C	135	135	135
D	78	78	78
E	16	16	16
F	35	35	35
G	6	6	6
H	58	58	58
I	20	20	20
J	φ2.5	φ3	φ3
K	φ40	φ40	φ40
L	65	65	65
M	φ72	φ72	φ72
	R39	R39	R39

Figures in [ ] show dimensions with options.

T49327

10-900

180MEt III (CE)  
 DETAIL DWG. OF NOZZLE (1)



	A	B	C	D	E	F	G	H	I	J	K	L	M	N	O	P	Q	R	S	T	U	V	W	X	
3.5S·3.6H	φ40	M65P=4	φ59	150	54	39	16	35	6	6	M36P=2	φ30	85	15	25	13	27	27	φ3	φ30	φ60	65	36	R47	R33
7H·7U	φ40	M65P=4	φ59	150	54	39	16	35	6	6	M36P=2	φ30	85	15	25	13	27	5	φ3	φ30	φ60	65	36	R47	R33
	φ46	M85P=4	φ68	162	54	41	20	41	6	6	M36P=2	φ30	85	15	25	13	27	5	φ3	φ30	φ60	80	36	R47	R33
15H·15U	φ46	M85P=4	φ68	162	54	41	20	41	6	6	M36P=2	φ30	85	15	25	13	27	5	φ3	φ30	φ60	80	36	R47	R33
	φ50	M85P=4	φ70	162	54	41	20	41	6	6	M36P=2	φ30	85	15	25	13	27	5	φ3	φ30	φ60	80	36	R47	R33

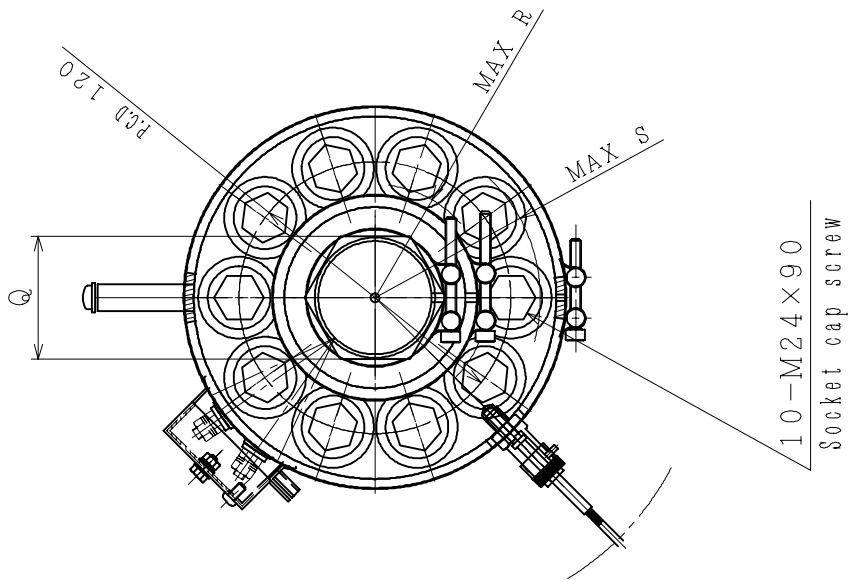
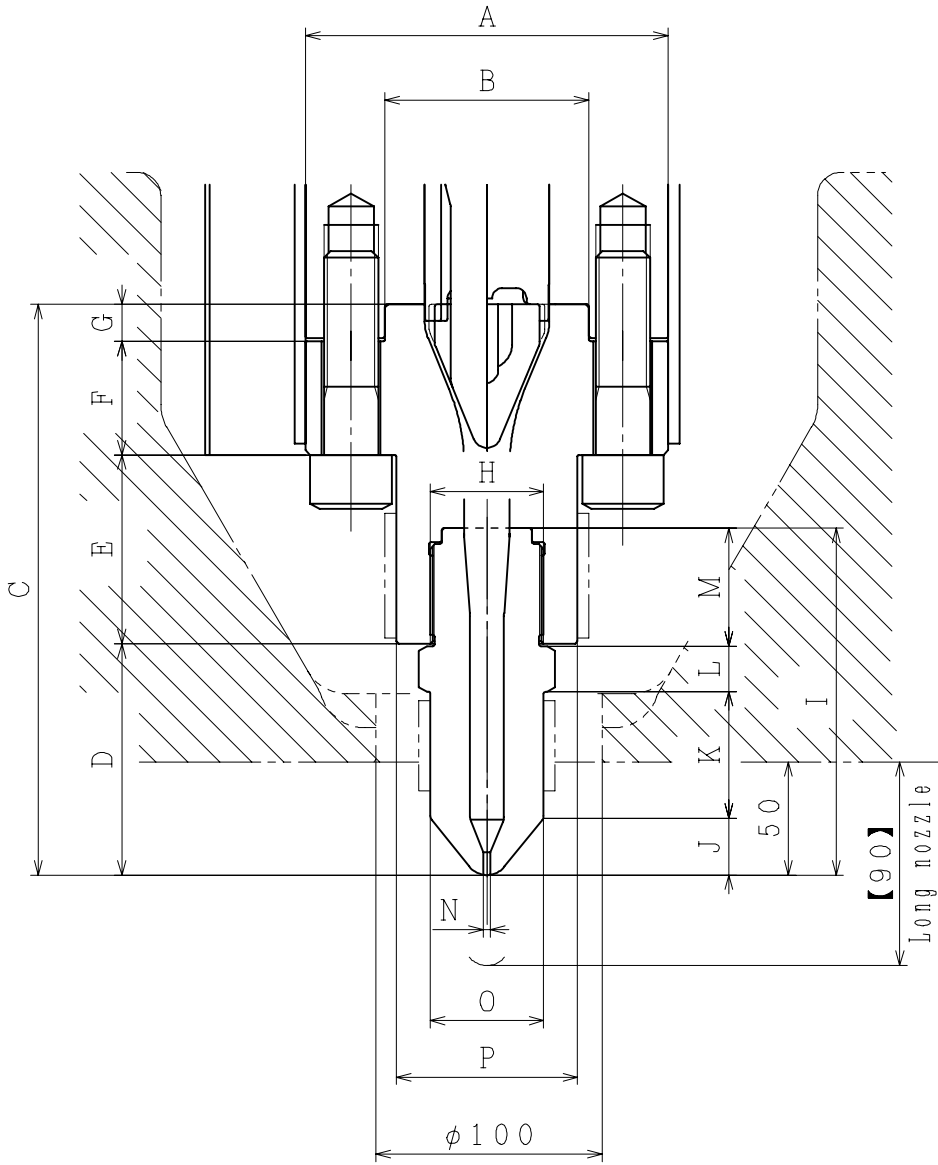
Figures in [ ] show dimensions with options.

T49328

10-900

180MEt II (CE)

DETAIL DWG. OF NOZZLE (2)



	A	B	C	D	E	F	G	H	I	J	K	L	M	N	O	P	Q	R	S	
15H	φ55	φ160	φ90	252	102	83.5	50	16.5	M50P=3	153	25	56	20	52	φ3	φ50	φ80	54	R50	R73
15U																				

Figures in 【】 show dimensions with options.

180MEt II (CE)

DETAIL DWG. OF NOZZLE (3)

T49329

10-900

7-5-9