

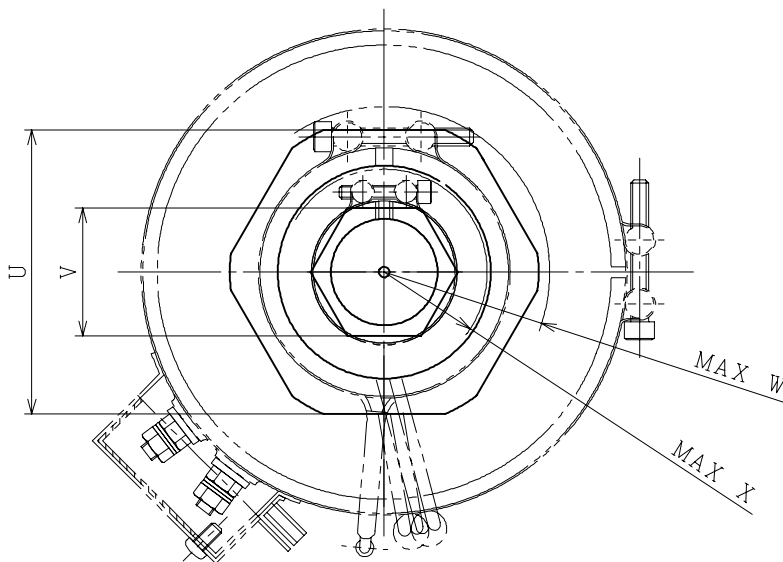
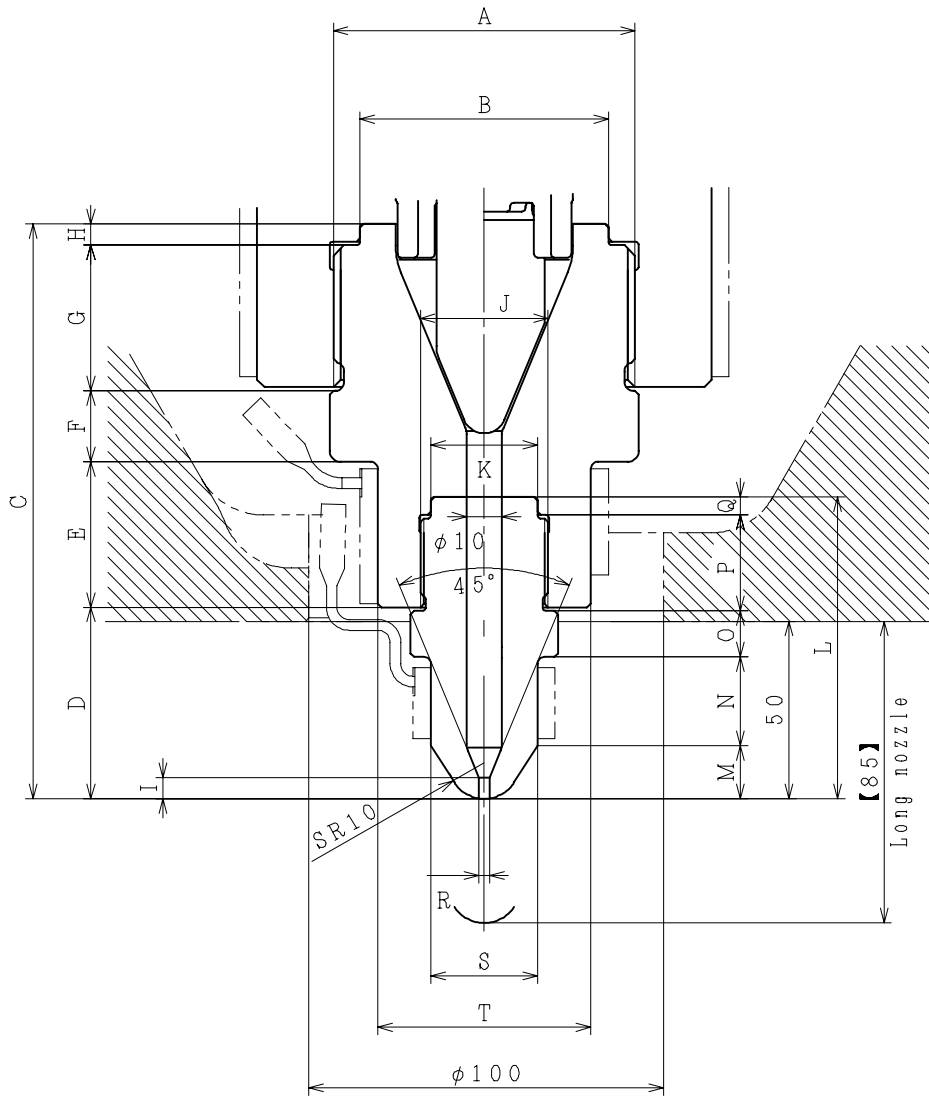
	7H·7U	
	φ32	φ36
A	M65P=4	M65P=4
B	135	135
C	78	78
D	16	16
E	35	35
F	6	6
G	58	58
H	20	20
I	φ3	φ3
J	φ40	φ40
K	65	65
L	φ72	φ72
M	R39	R39

Figures in [] show dimensions with options.

230MEt II (CE)
 DETAIL DWG. OF NOZZLE (1)

T49330

10-900



	A	B	C	D	E	F	G	H	I	J	K	L	M	N	O	P	Q	R	S	T	U	V	W	X
7H · 7U	φ40M65P=4	φ59	150	54	39	16	35	6	6	M36P=2	φ30	85	15	25	13	27	5	φ3	φ30	φ60	65	36	R47	R33
	φ46M85P=4	φ68	162	54	41	20	41	6	6	M36P=2	φ30	85	15	25	13	27	5	φ3	φ30	φ60	80	36	R47	R33
15H · 15U	φ40M65P=4	φ59	150	54	39	16	35	6	6	M36P=2	φ30	85	15	25	13	27	5	φ3	φ30	φ60	65	36	R47	R33
	φ46M85P=4	φ68	162	54	41	20	41	6	6	M36P=2	φ30	85	15	25	13	27	5	φ3	φ30	φ60	80	36	R47	R33
20H	φ50M85P=4	φ70	162	54	41	20	41	6	6	M36P=2	φ30	85	15	25	13	27	5	φ3	φ30	φ60	80	36	R47	R33
	φ50M85P=4	φ70	162	54	41	20	41	6	6	M36P=2	φ30	85	15	25	13	27	5	φ3	φ30	φ60	80	36	R47	R33

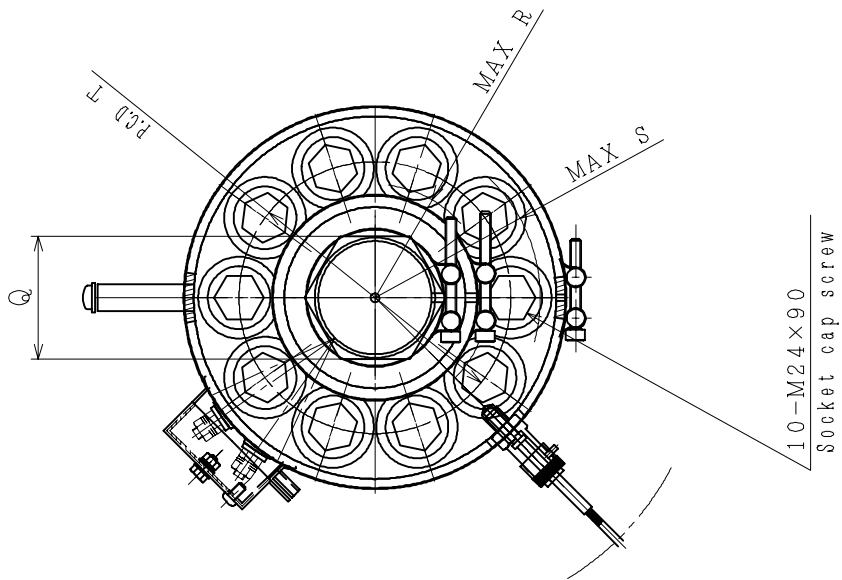
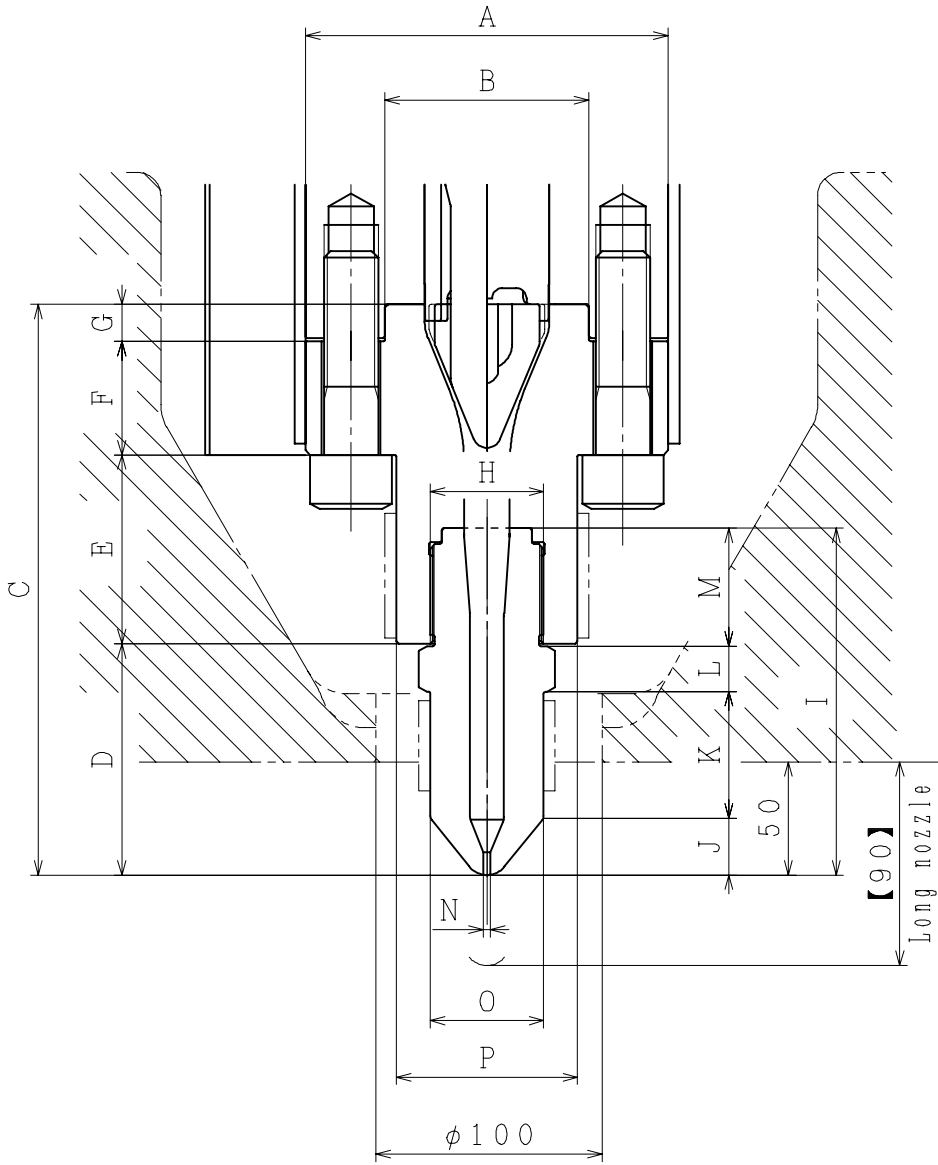
Figures in 【 】 show dimensions with options.

230MEt II (CE)

DETAIL DWG. OF NOZZLE (2)

T49331

10-900



	A	B	C	D	E	F	G	H	I	J	K	L	M	N	O	P	Q	R	S	T	
15H	φ55	φ160	φ90	252	102	83.5	50	16.5	M50P=3	153	25	56	20	52	φ3	φ50	φ80	54	R50	R73	120
15U	φ55	φ160	φ90	252	102	83.5	50	16.5	M50P=3	153	25	56	20	52	φ3	φ50	φ80	54	R50	R73	120
20H	φ60	φ170	φ95	252	102	83.5	50	16.5	M50P=3	153	25	56	20	52	φ3	φ50	φ80	54	R50	R73	125

Figures in [] show dimensions with options.

230MEt II (CE)

DETAIL DWG. OF NOZZLE (3)

T49332

10-900