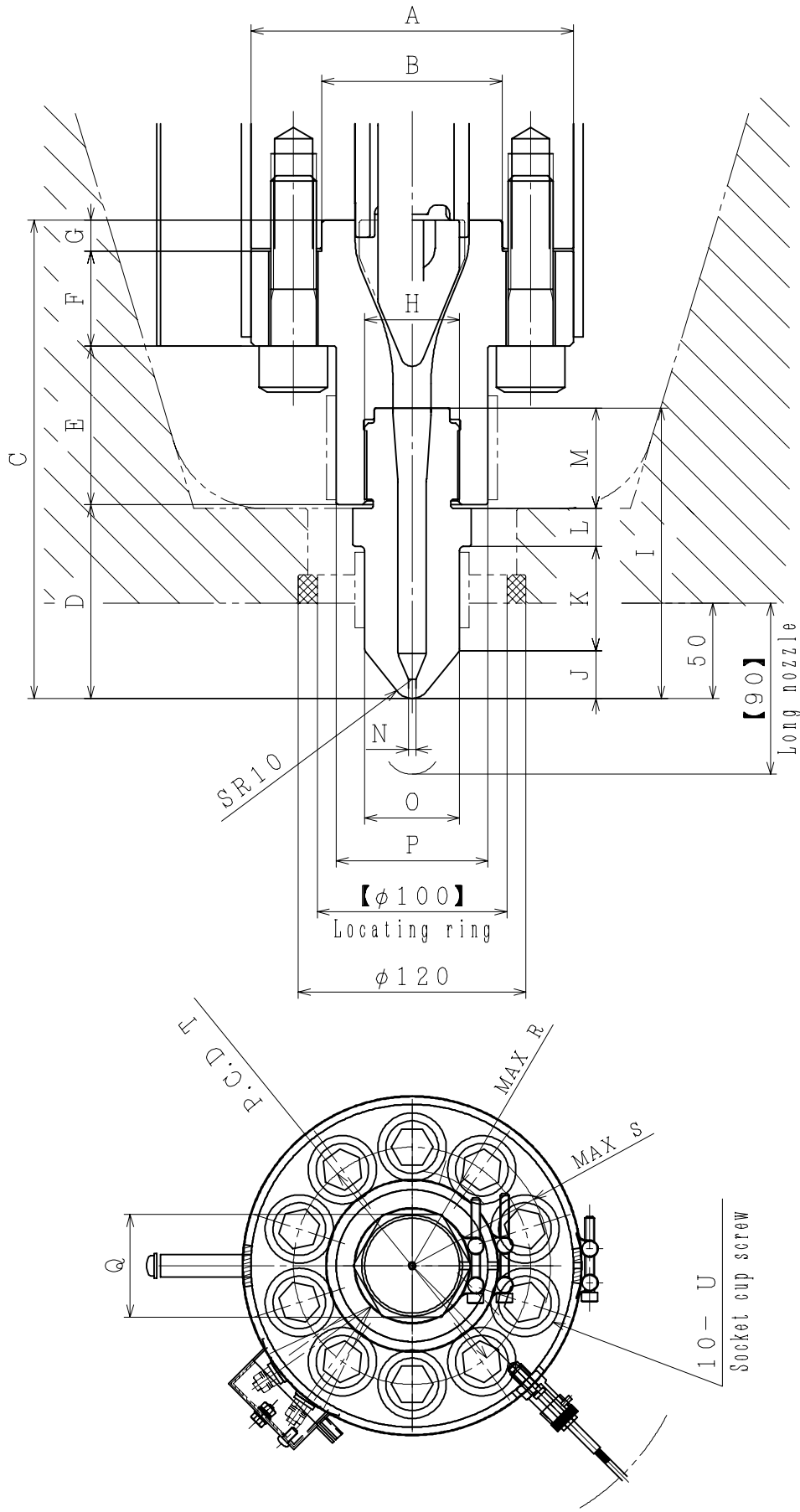


	A	B	C	D	E	F	G	H	I	J	K	L	M	N	O	P	Q	R	S	T	U	V	W	X
20H	φ50	M85P=4 φ70	162	54	41	20	41	6	6	M36P=2 φ30	85	85	15	15	13	27	5	φ3	φ30	φ60	80	36	R47	R33

\* Figures in **[ ]** show dimensions with options.

280MEt II (CE)  
 9-5 DETAIL DWG. OF NOZZLE (1)



	A	B	C	D	E	F	G	H	I	J	K	L	M	N	O	P	Q	R	S	T	U	
20H	φ55	φ160	φ90	252	102	83.5	50	16.5	M50P=3	153	25	[40]56[81]	20	52	φ3	φ50	φ80	54	R50	R73	120	M24×90
	φ60	φ170	φ95	252	102	83.5	50	16.5	M50P=3	153	25	[40]56[81]	20	52	φ3	φ50	φ80	54	R50	R73	125	M24×90
30H	φ68	φ185	φ100	282	102	93.5	70	16.5	M50P=3	153	25	[40]56[81]	20	52	φ3	φ50	φ80	54	R50	R73	142	M27×120

\* Figures in [ ] show dimensions with options.

280MEt III (CE)

9-5 DETAIL DWG. OF NOZZLE (2)